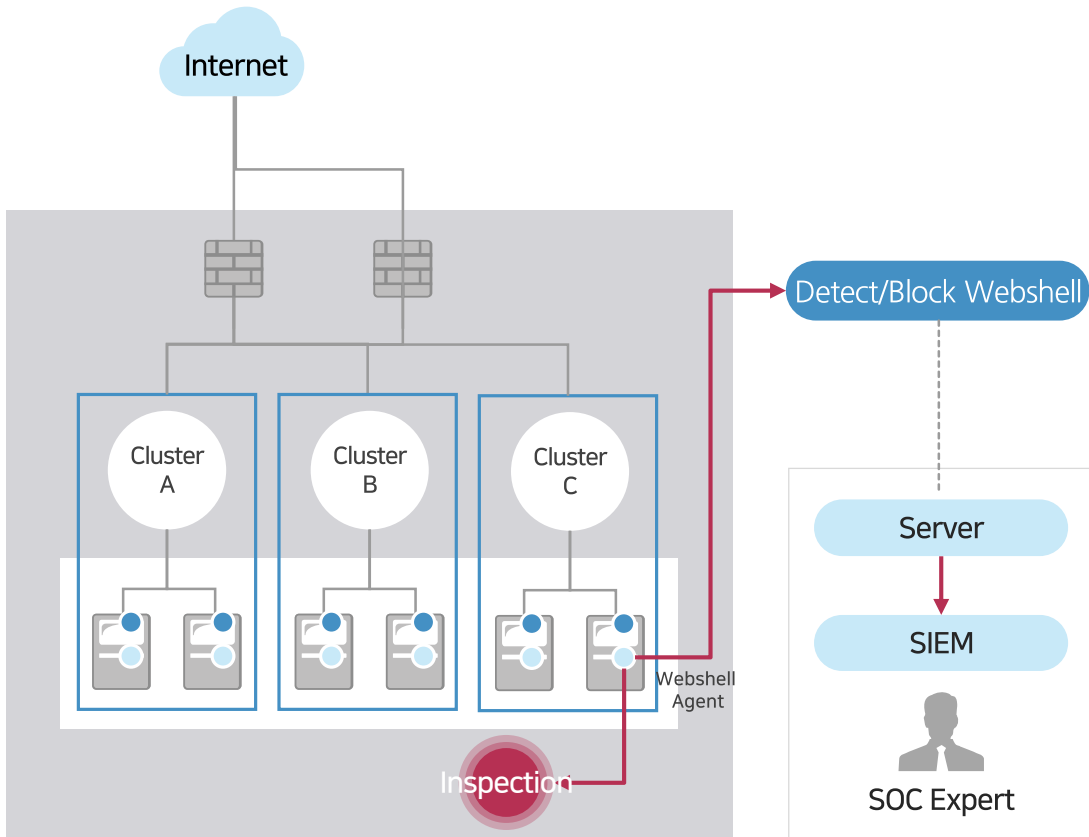


Security Service – Managed Webshell Detection Service

Detects, remediates, and prevents webshell attacks quickly, keeping your website secure and protected.

Managed Webshell Detection Service



Log Collection & Event Detection/Alert System

Log Collection

- Send encrypted logs through Webshell Agent, to the data collection server (detection logs)

Event Detection

- Detect webshell files uploaded on the server
- Detect webshell files based on pattern analysis

Alert/Notification Criteria

Need Attention

- Normal webshell uploads
- Identify impact of uploaded files

Emergency

- Common webshell uploads
- Block (inspection)
- SMS/phone/email notification