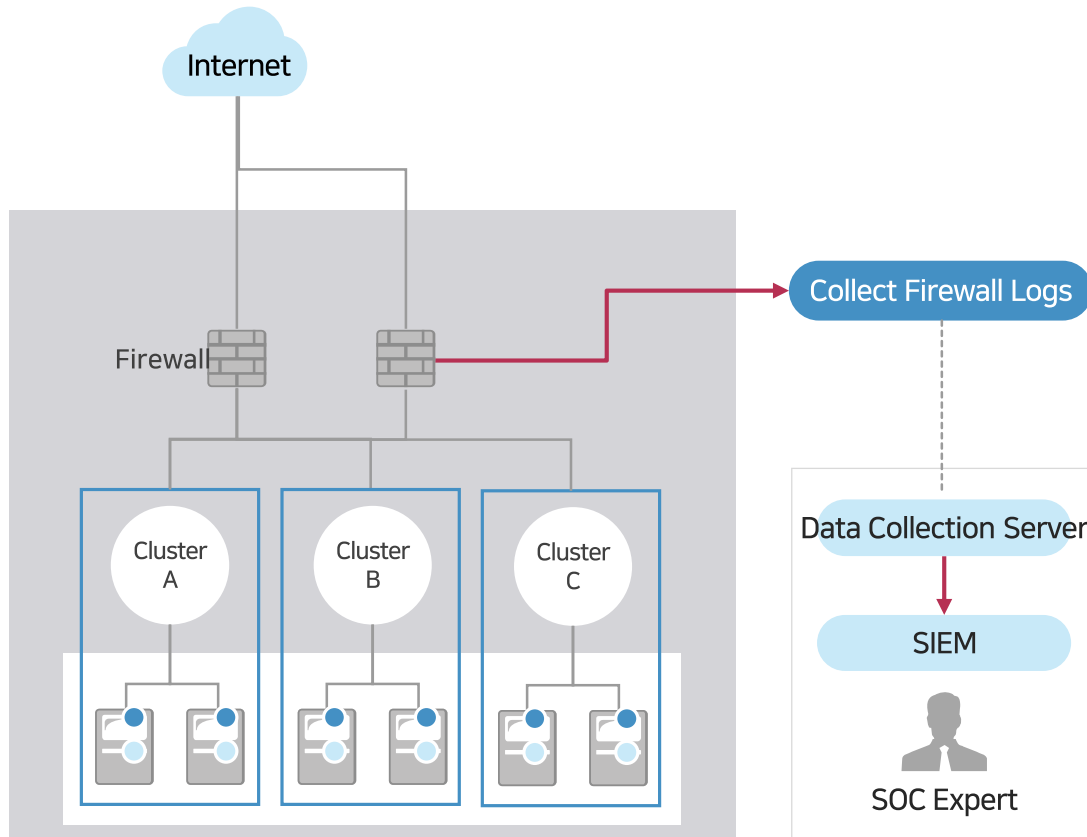


# Security Service – Managed Firewall Service

Protect company systems from excessive/malicious traffics (session overload, worm traffic, etc.) by gathering and analyzing firewall logs

## Managed Firewall Service Structure



## Log Collection & Event Detection/Alert System

### Log Collection

- Encrypt logs through VPN and send to the server

### Event Detection

- Collect traffic/security threat data
- Detect malicious traffic (worm traffic, session overload, etc.)
- Event trend analysis

### Alert/Notification Criteria

Normal	Need Attention	Emergency
<ul style="list-style-type: none"> <li>• Excessive traffic</li> <li>• Email notification</li> </ul>	<ul style="list-style-type: none"> <li>• Malicious Traffic</li> <li>• Confirmation requests (e-mail)</li> </ul>	<ul style="list-style-type: none"> <li>• Malicious traffic &amp; excessive traffic</li> <li>• Event detail analysis</li> <li>• Reports (Phone/SMS/E-mail)</li> </ul>